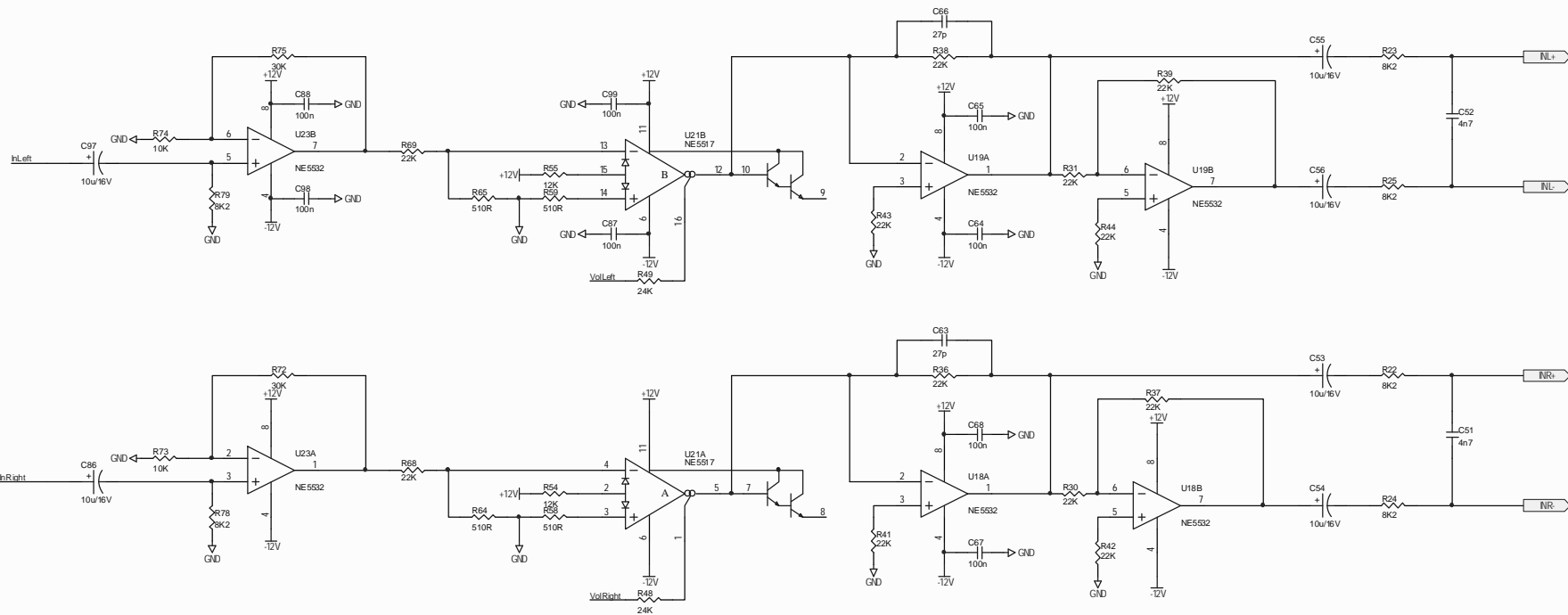
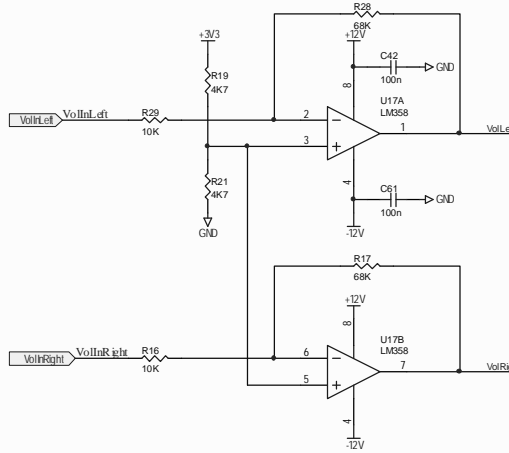
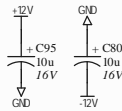
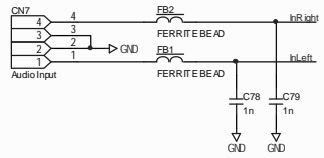
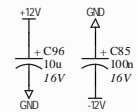
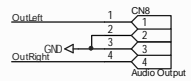
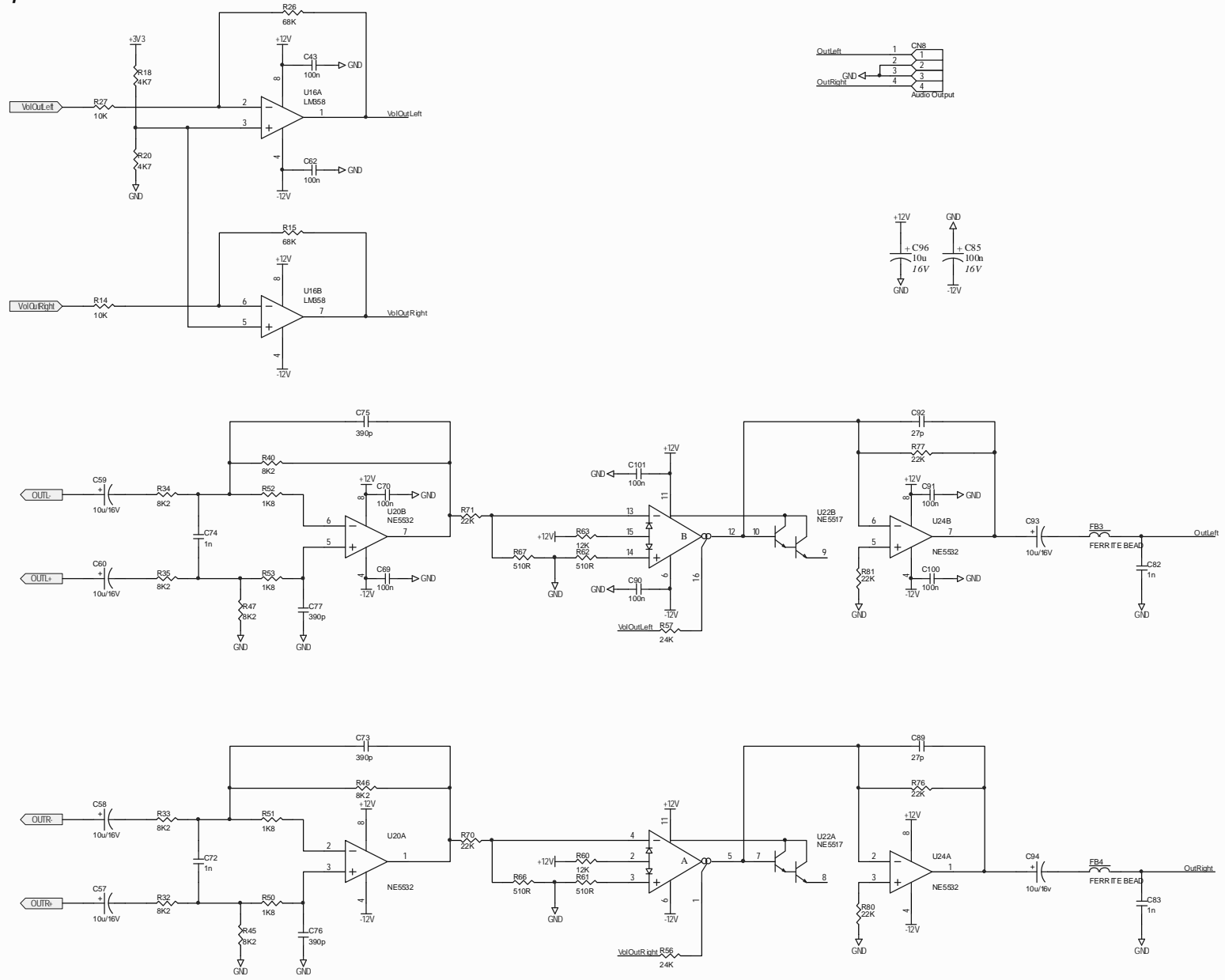


Analog Inputs



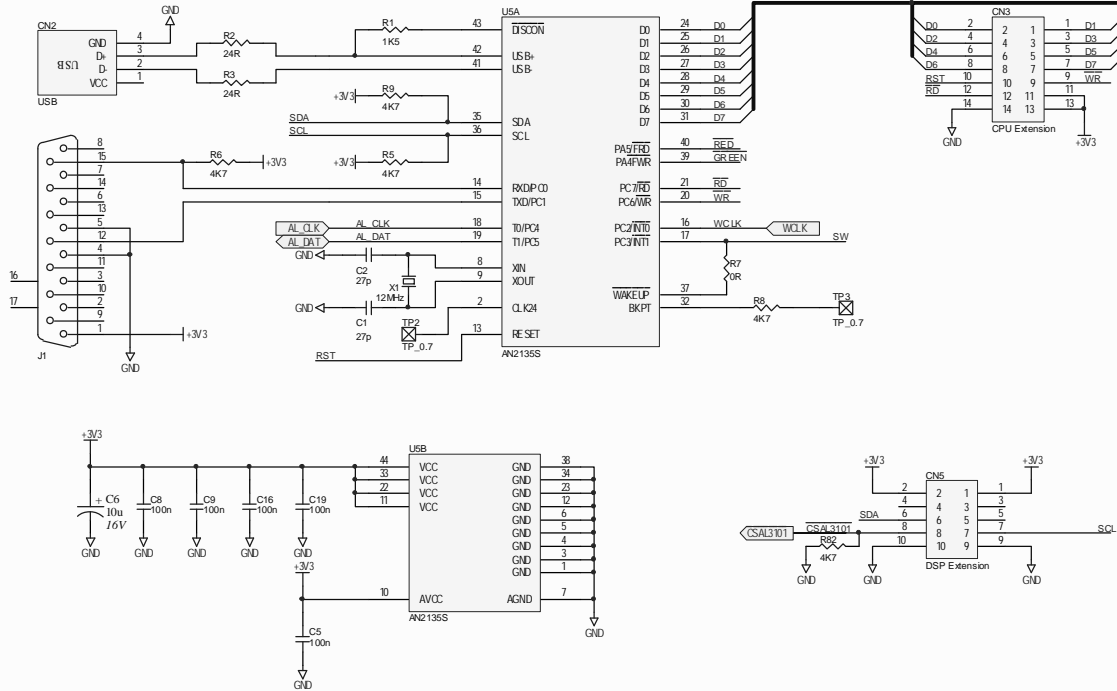
Title: Miss Parker		AXORIS	
Size: A3	Version: 1.1	Revision: A	Sheet 1 of 1
Date: 22/08/2005	Time: 21:47:22	File: Analog Input Sch	

Analog Outputs

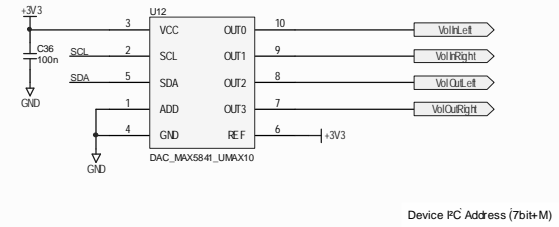


Title: Miss Parker		AXORIS	
Size: A3	Version: 1.1	Revision: A	Sheet 1 of 1
Date: 2/18/2005	Time: 21:47:22	File: Analog Output.Sch	

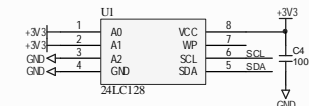
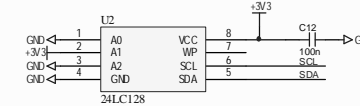
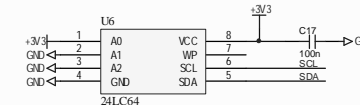
USB Microcontroller



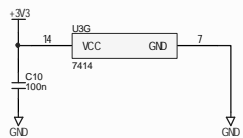
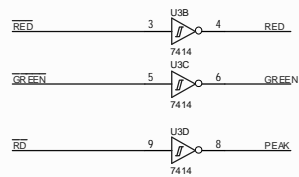
I²C Peripherals



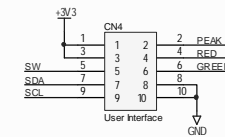
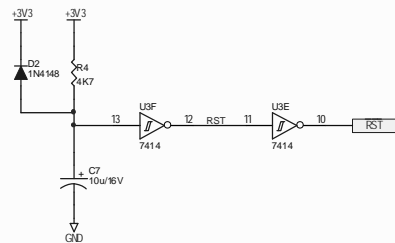
Device PC Address (7bit+M)



LED Indicators



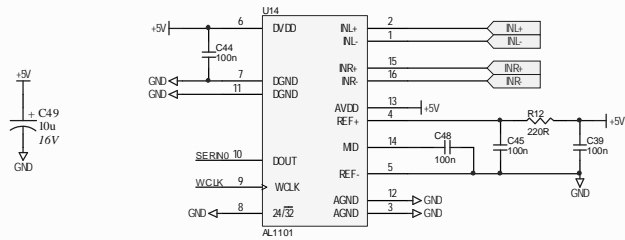
Main Reset



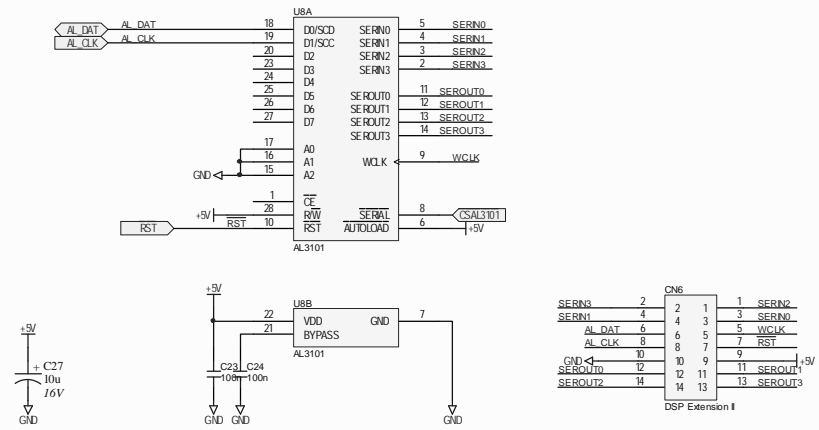
Title: Miss Parker		
Size: A3	Version: 1.1	Revision: A
Date: 22/08/2005	Time: 21:47:22	Sheet: 1 of 1
File: CPU.Sch		



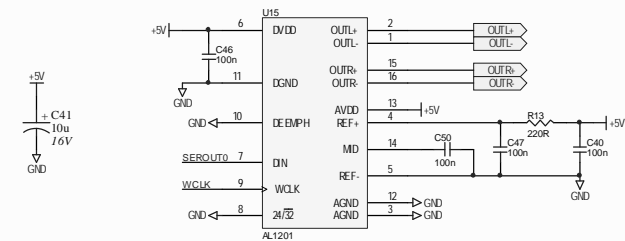
24bit Analog - Digital Converter



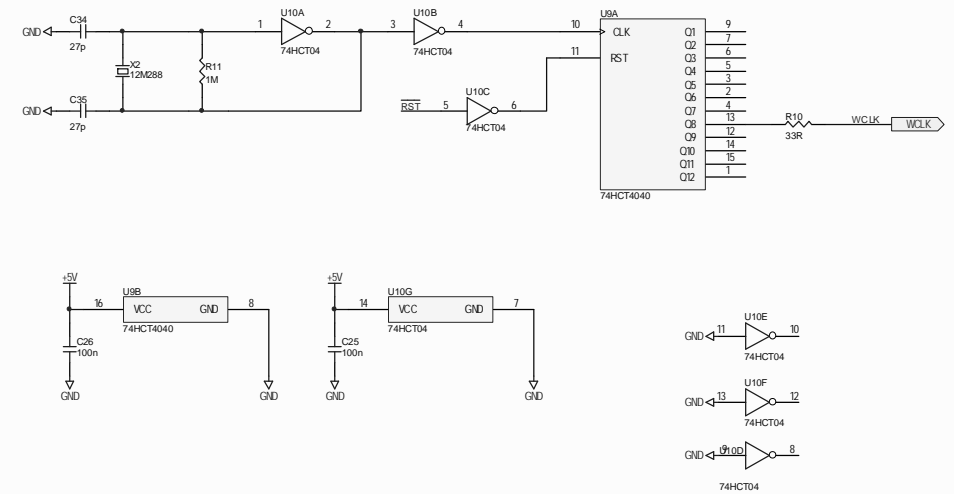
Digital Signal Processor



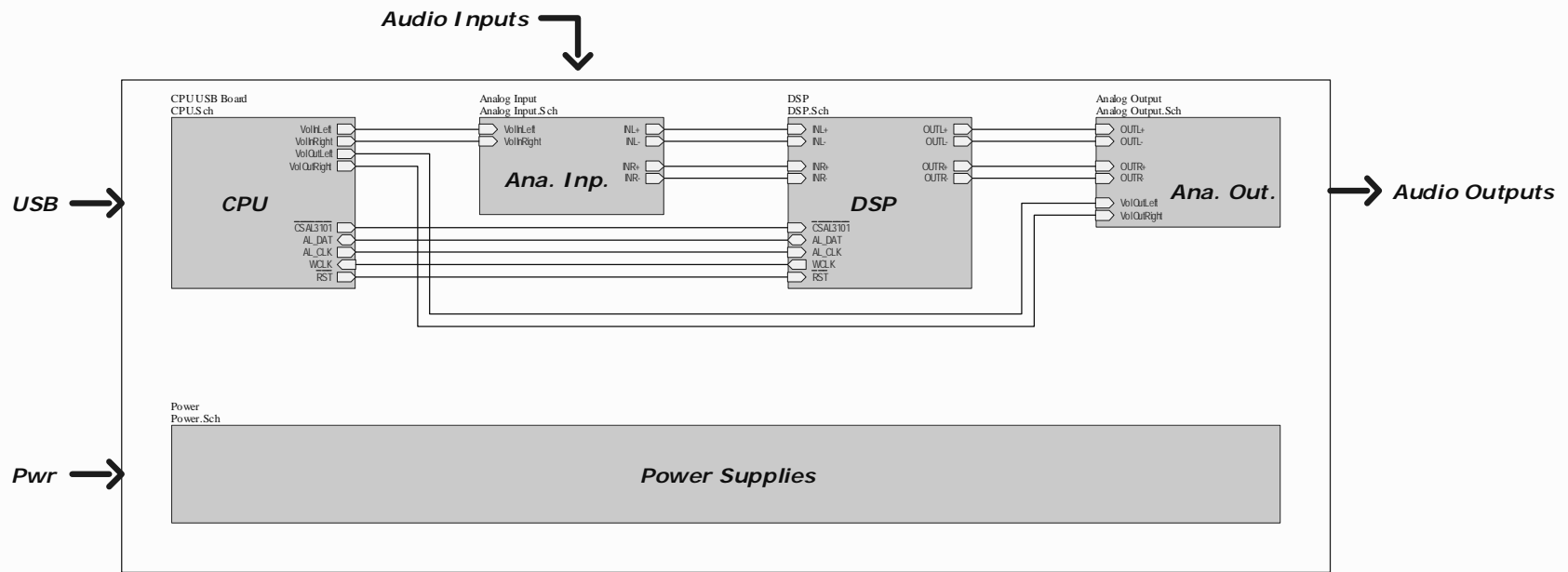
24bit Digital - Analog Converter




Working Clock Generation

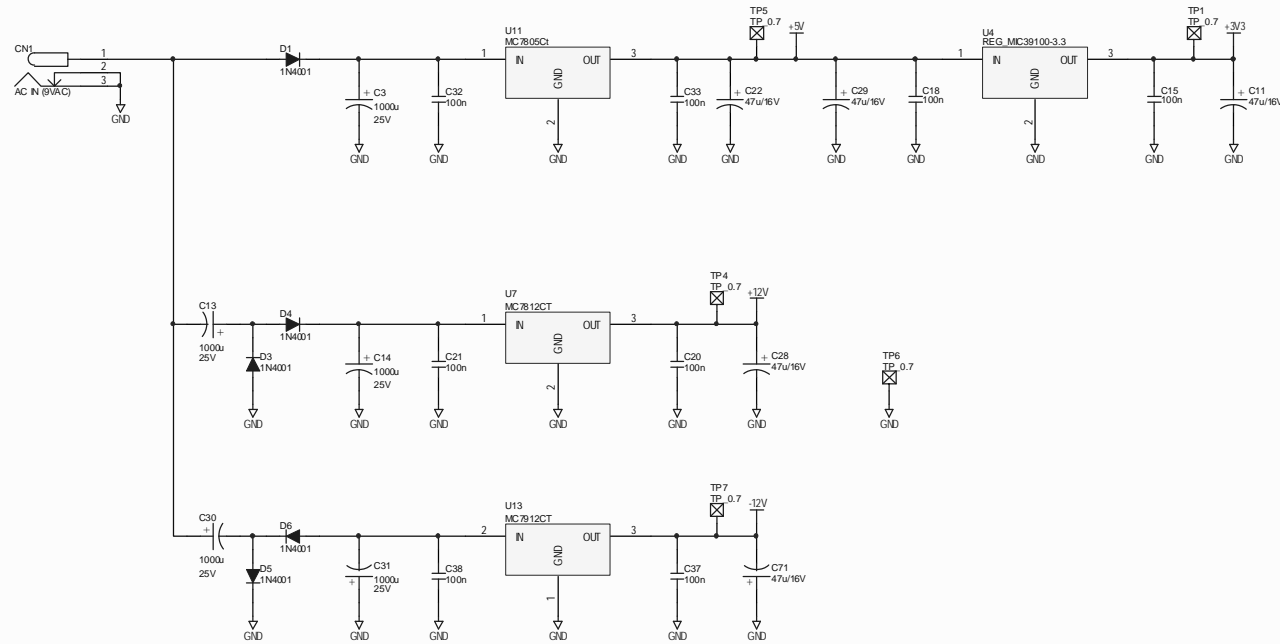



Title: Miss Parker		AXORIS	
Size: A3	Version: 1.1	Revision: A	
Date: 22/08/2005	Time: 21:47:22	Sheet: 1 of 1	
File: DSP Sch			



Title: Miss Parker			
Size: A3	Version: 1.1	Revision: A	 <small>... Steel Music Box</small>
Date: 22/08/2005	Time: 21:47:23	Sheet: 1 of 1	
File: MissParker.Sch			

Power Supplies



Title: Miss Parker			
Size: A3	Version: 1.1	Revision: A	
Date: 22/08/2005	Time: 21:47:23	Sheet: 1 of 1	
File: Power.Sch			